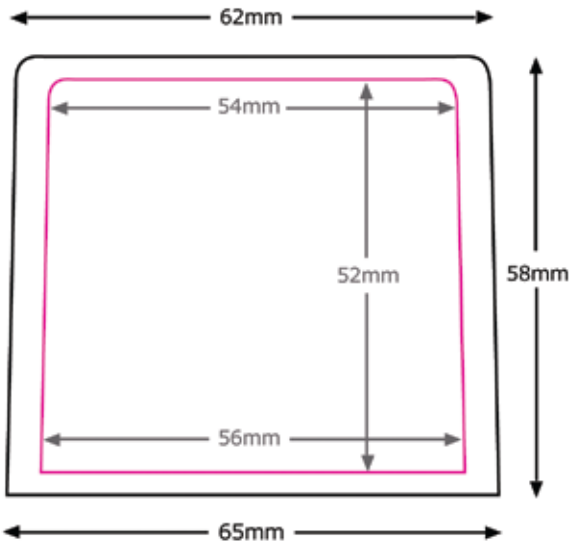


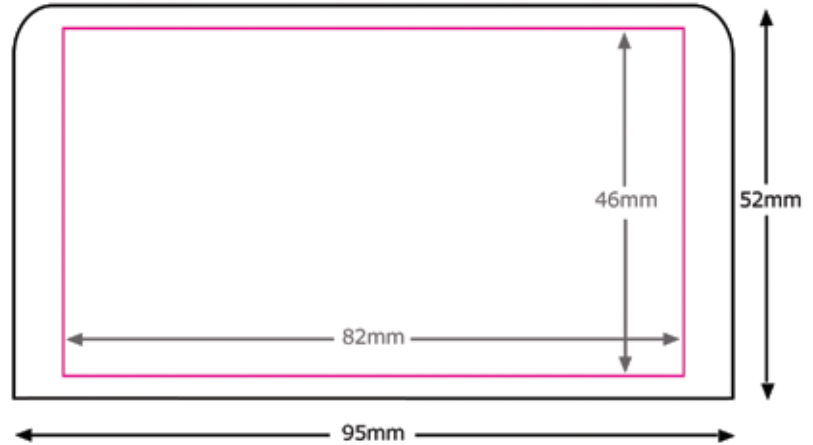
Microphone Flag Dimensions/Design Template

Audio Services Corporation provides this template for customers that wish to print their own logos onto the mic flags that we sell. For orders of 10 or more, we can quote on having your logo screen printed onto the flag in durable vinyl ink.

Square Mic Flag (four sides)

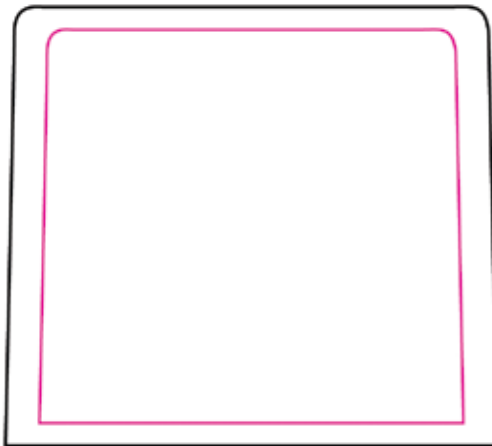


Triangular Mic Flag (three sides)



Product dimensions shown above in Black.
Print Area shown above in Magenta.
Or use the plain template below

Product dimensions shown above in Black.
Print Area shown above in Magenta.
Or use the plain template below



Available colours for square flags:



(Black, White, Green, Orange, Yellow, Blue,
Burgundy, Red, and Royal Blue)

Available colours for triangular flags:



(Black and White)

Please note:

- It is best to use a matte finish adhesive label to ensure your logo is visible in bright lights.